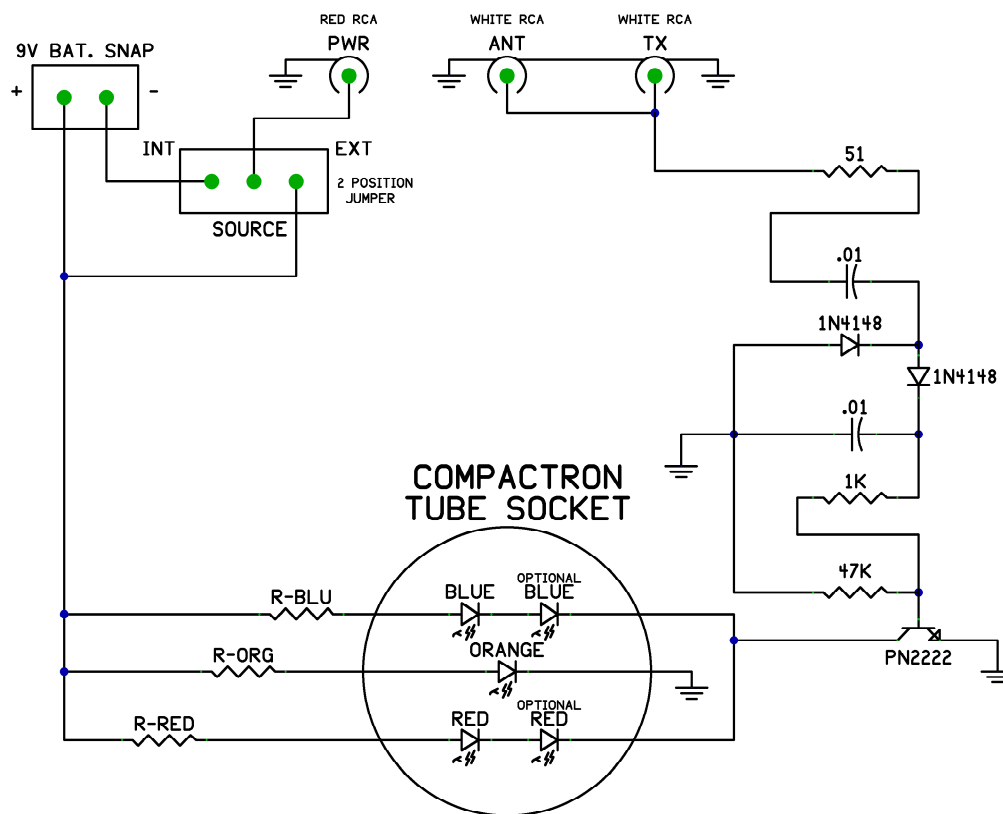


INSERT SHORTED  
RCA PLUG or CABLE  
TO ACTIVATE INTERNAL  
9V BATTERY



R-BLUE = 430 OHM FOR 1 LED 270 OHM FOR 2 LEDS

R-RED = 100 OHM FOR 1 LED 75 OHM FOR 2 LEDS

R-ORANGE = 470 OHM

I PERSONALLY LIKE THE ALL BLUE ILLUMINATION  
SO I ADDED A BONUS PACK OF 2 EXTRA BLUE LEDS  
AND AN EXTRA 270 OHM RESISTOR!

Co:	QRPme		
Title:	CP SIGHTer		
Board:	SCHEMATIC	Revision:	B
Author:	W1REX	Size:	A
Date:	3/25/2024	Sheet	1 of 1